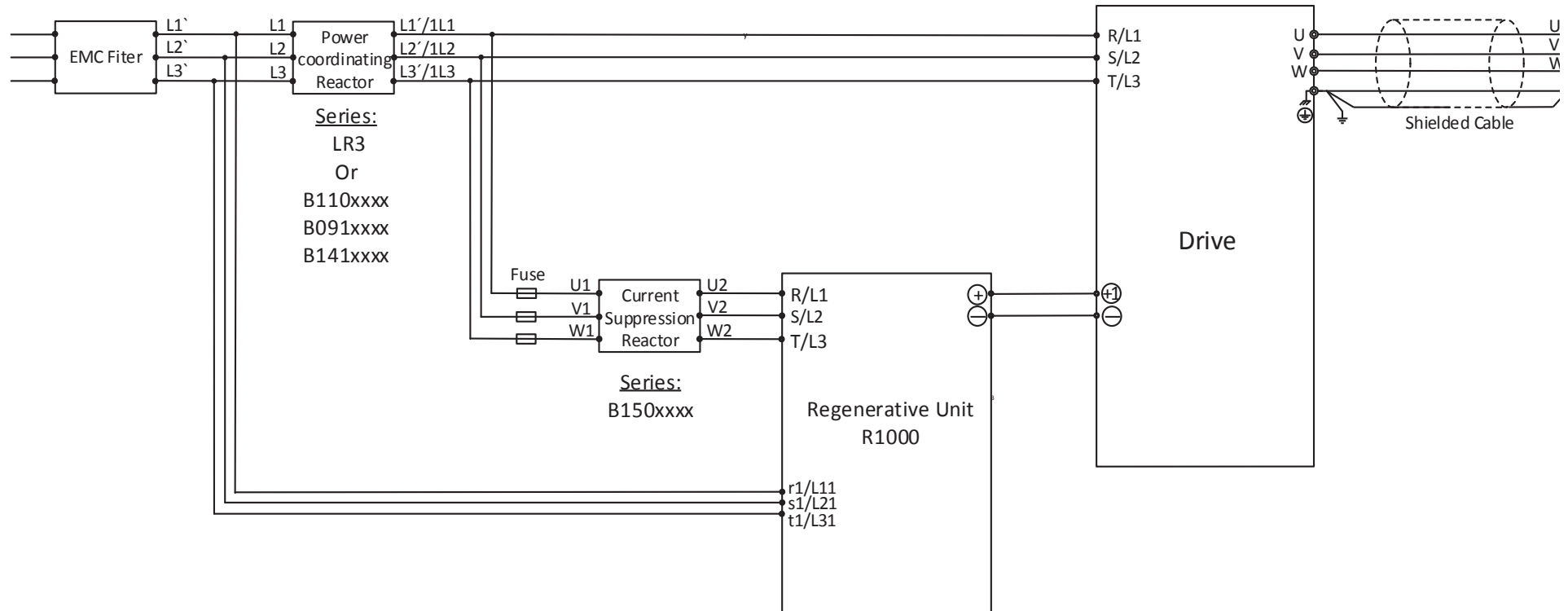


Installation Guidelines for the YASKAWA R1000 Series

Electrical Installation



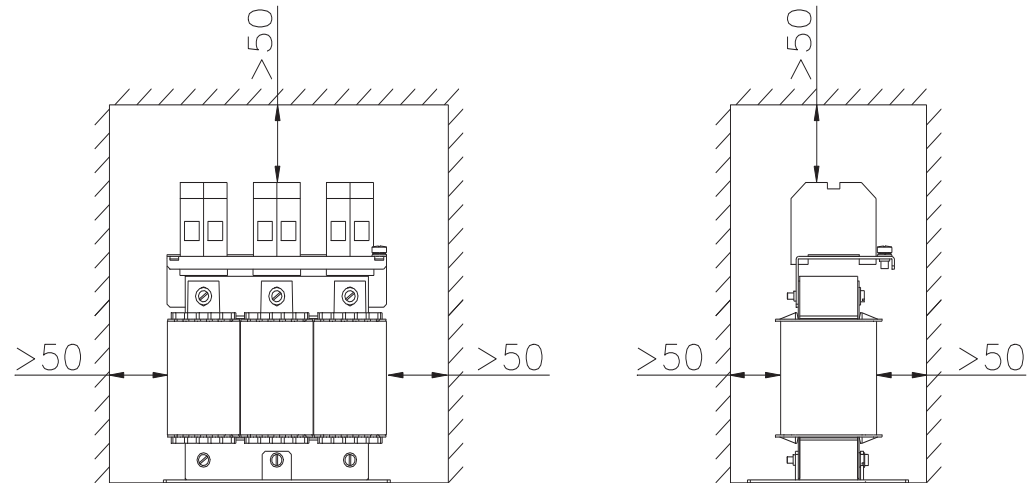
For choosing conductor cross section, cable style and detailed wiring, read latest version of Yaskawa R1000 technical manual!

Mechanical Installation

Terminal size and tightening torque

| Part-No. ractor | Rated current | Terminals | Torque Nm |
|--------------------|------------------|---------------------|--------------|
| B 1509105 | 7,5 | 4,0mm ² | 0,5-1 |
| B 1509106 | 10 | 4,0mm ² | 0,5-1 |
| B 1509107 | 15 | 4,0mm ² | 0,5-1 |
| B 1509108 | 25 | 16,0mm ² | max.2,5 |
| B 1509109 | 30 | 16,0mm ² | max.2,5 |
| B 1509110 | 40 | 35,0mm ² | 4,0-5,0 |
| B 1504118 | 50 | 35,0mm ² | 4,0-5,0 |
| B 1509111 | 60 | 35,0mm ² | 4,0-5,0 |
| B 1509112 | 75 | 35,0mm ² | 4,0-5,0 |
| B 1509113 | 100 | for M6 | max.6,0 |
| B 1509114 | 161 | for M6 | max.6,0 |
| B 1505002 | 237 | for M8 | max.12 |
| B 1505008 | 326 | for M10 | max.20 |
| B 1505011 | 466 | for M12 | max.30 |
| B 1505020 | 932 | for M12 | max.30 |

Reactor convection space



Mounting position:

Reactors can be mounted in horizontal or vertical direction.